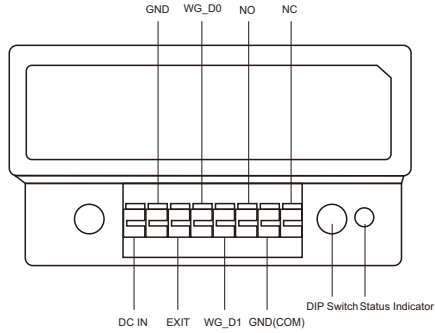


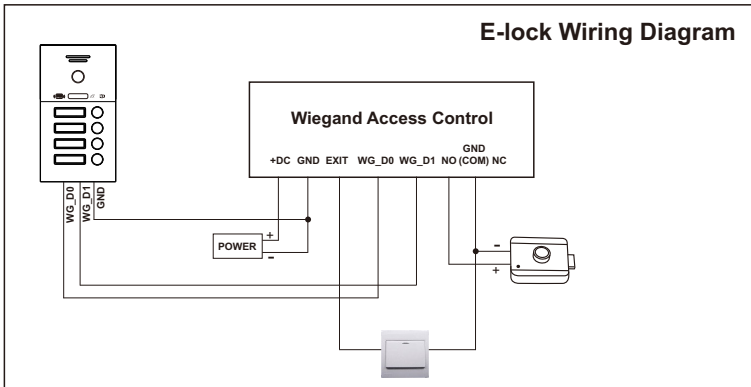
# Wiegand Access Control

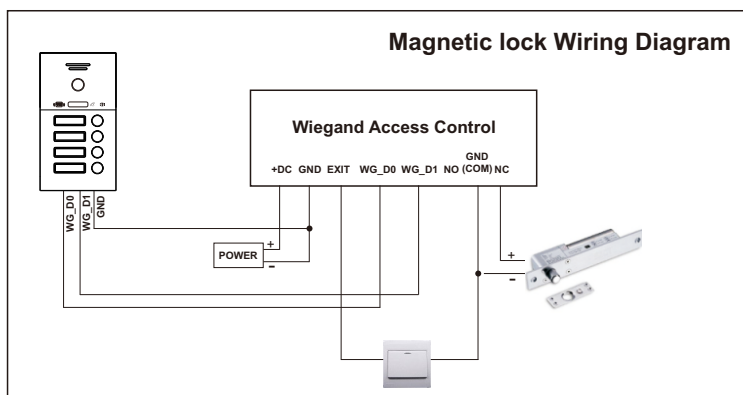
## 1. Appearance Introduction



Name	Description
DC IN	Positive Pole of DC(12V )Power Input
GND	Negative Pole of DC(12V)Power Input
EXIT	Connect to One Wire of Exit Button
WG_D0	Wiegand Input Data 0
WG_D1	Wiegand Input Data 1
NO	Normally Open Relay Output
GND(COM)	Negative Pole of Lock(Common Connection for Relay Output)
NC	Normally Closed Relay Output
DIP Switch	Set unlock delay
Status Indicator	Standby with red light; Unlock with Green light

## 2. Wiring Diagram





### 3. Set unlock delay

Toggle DIP switch, buzzer sounds. Switch to type 1 mode, buzzer feedback "BI" means unlock delay with 2second; Switch to type 2 mode, buzzer feedback "BI BI" means unlock delay with 6second; Switch to type 3 mode, buzzer feedback "BI BI BI" means unlock delay with 8second; Switch to type 4 mode, buzzer feedback "BI BI BI BI" means unlock delay with 10second.

**Notice:** After connect Wiegand Access Control, Outdoor station unlock relay depends on Wiegand Access Control unlock relay setting.

	1	2	3	4
Mode				
Unlock Delay	2s	6s	8s	10s

### 4. Specification

Power	12V
Standby Current	<20mA
Operating Temperature	-20°C ~ +50°C
Working Humidity	0~90%RH
Wiegand Output	Input: wiegand 26 bits
Color	Black
Size	70mm (L)x 40mm(W)x 25mm(H)