

Technical Sheet For EIB/KNX USB Interface

BNUS-00/00.1

The worldwide STANDARD for home and building control

CHARACTERISTICS

The KNX USB Interface is used for facilitating communication between the PC and the KNX system, in order to configure, parameterize and commission the EIB/KNX installation as well as bus monitor using the ETS (ETS3 or later) software.

The KNX USB Interface has not an application program, but it is able to use the ETS to allocate the physical address. The factory default physical addresses are 15.15.255. Note — a KNX drive program (GVS USB driver for KNX.exe) need to be installed in the PC, or else the interface cannot connect to the PC.

The KNX USB Interface can run in the following operating systems: Windows 2000, Windows XP, Windows Vista, Windows 7, Windows Me and Windows 98.

Note — If running Windows Me and Windows 98, not only need to install the KNX drive program in the PC, but also need to install the HID driving.

PARAMETERS

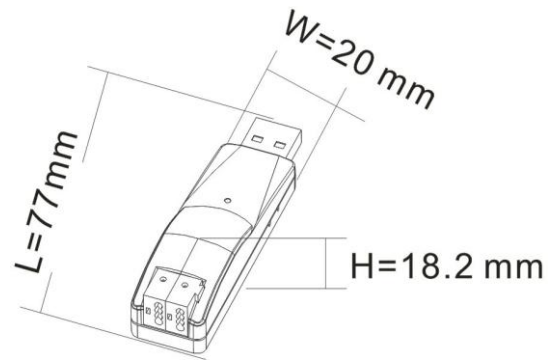
Power supply	Operation voltage	21~30V DC, via the EIB bus
	Current consumption	<12mA, EIB
	Power consumption	<360mW, EIB
	USB voltage	5V DC
	Current consumption	<100mA, USB
	Power consumption	<500mW, USB
	Total consumption	<860mW, USB and EIB

Interface USB Standard 2.0

Connections	EIB / KNX	Bus connecting terminal Single-core 0.2—6.0mm ² Multi-core 0.2—4mm ²
-------------	-----------	--

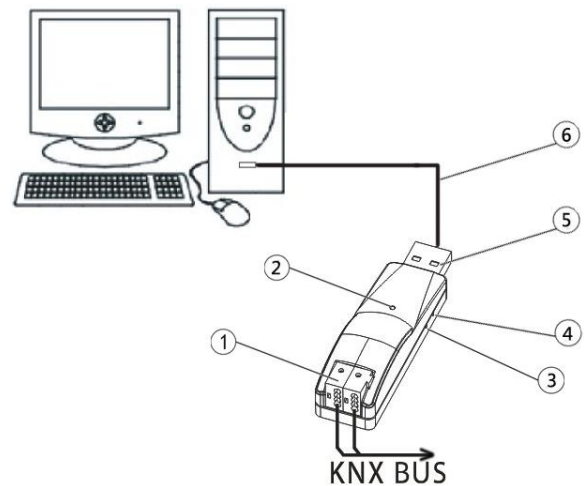
	PC-connection	Via USB socket type A Max. cable length 5m (standardized)
Operating and display	Prog. LED and button	For assignment of the physical address
Temperature	Operation	– 5 °C ... + 45 °C
	Storage	–25 °C ... + 55 °C
	Transport	– 25 °C ... + 70 °C
Ambient	Humidity	<93%, except dewing
Mounting position	As required	

DIMENSIONS



Model	Dimension	Weight
BNUS-00/00.1	18x20x77mm	0.1kg

DESCRIPTIONS



- ① EIB/ KNX bus connection terminal
- ② The green LED lights up as soon as the USB interface and PC are connected and ready for operation. It flashes mean that there is communication between the USB interface and PC. The red LED lights up as soon as the USB interface and KNX bus are connected and ready for operation. It flashes mean that there is telegram traffic on the bus.
- ③ Red LED for assigning the physical address, green LED flashing for display the application layer works normally
- ④ Programming button
- ⑤ USB serial ports connection terminal
- ⑥ USB extension cable

INSTALLATION FIGURE

The extremely compact design enables the USB interface appearance as USB flash disk as small, delicate, and portable. So it can be installed in many positions according to user requirements. Must ensure that the device operation, testing, detecting, maintenance correctly before installing.

IMPORTANT INFORMATION

Installation and commissioning of the device may only be carried out by trained electricians. The relevant standards, directives, regulations and instructions must be observed when planning and implementing the electrical installation.

- Protect the device against moisture, dirt and damage during transport, storage and operation!
- Do not operate the device outside the specified technical data (e.g. temperature range)!

Should the device become soiled, it may be cleaned with a dry cloth. If this does not suffice, a cloth lightly moistened with soap solution may be used. On no account should caustic agents or solvents be used.

EIB / KNX USB 接口技术规格书

适用型号:

BNUS-00/00.1

国际标准的家庭和楼宇控制系统

产品功能

KNX USB 接口用于实现 PC 与 KNX 系统之间的通讯,以便使用计算机中的 ETS 软件(版本 ETS3 及以上版本)给 KNX 装置分配物理地址,配置参数,对 KNX 装置进行调试,及总线监控。

此设备没有应用程序。通过 ETS 软件(版本 ETS3 及以上版本)可以直接给此设备分配物理地址,出厂默认的物理地址是 15.15.255。注意,需要在计算机上安装一个 KNX 驱动程序(GVS USB driver for KNX.exe),否则将导致设备连接不上计算机。

KNX USB 接口可运行在以下操作系统: Windows 2000, Windows XP, Windows Vista, Windows 7, Windows Me 和 Windows 98。注意:如果是 Windows Me 和 Windows 98,不仅需要安装在计算机上安装 KNX 驱动程序,而且还需要安装 HID 驱动。

技术参数

电 源	工作电压, EIB	21~30V DC, 由总线提供
	工作电流, EIB	<12mA
	待机功耗, EIB	<360mW
	USB 电压	5V DC
	USB 电流	<100mA
	USB 功耗	<500mW
	EIB 和 USB 总功耗	<860mW

通讯接口 标准 USB2.0 接口

连 接	EIB/KNX	EIB 总线连接端子(黑/红) 单芯 0.2—6.0mm ² 多芯 0.2—4mm ²
-----	---------	---

计算机 A 型 USB2.0 接口
标准的 USB 延长线最大长度 5m

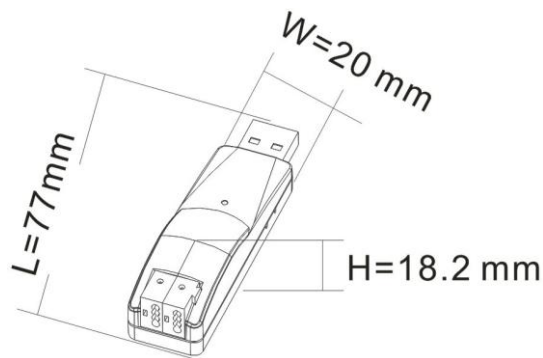
操作和指示 编程 LED 和按键 分配物理地址

温度范围	运行	- 5 ° C ... + 45 ° C
	存储	- 25 ° C ... + 55 ° C
	运输	- 25 ° C ... + 70 ° C

环境条件 湿度 <93%, 结露除外

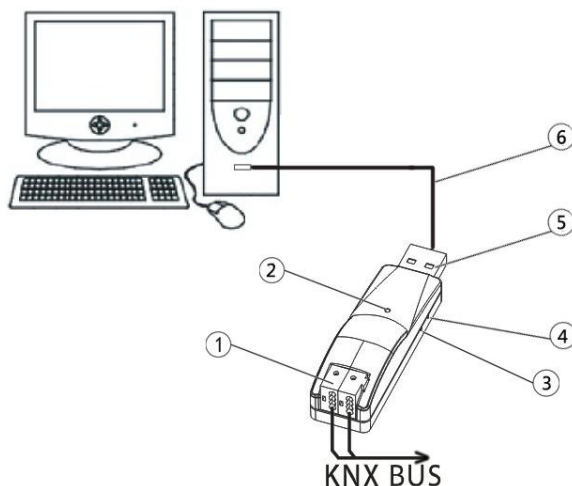
安装位置 根据需要

尺寸规格



型号	尺寸	重量
BNUS-00/00.1	18x20x77mm	0.1kg

接线图



说明

- ① KNX / EIB 总线连接端子
- ② 设备上绿色的 LED 指示设备与 PC 连接正常,当设备与 PC 进行通讯时,绿色 LED 会闪烁;红色 LED 指示设备与 KNX 总线连接正常,当总线上有报文时,红色 LED 会闪烁。
- ③ 红色 LED 指示进入物理地址编程状态,绿色 LED 闪烁指示设备应用层工作正常
- ④ 编程按钮
- ⑤ USB 接口
- ⑥ USB 延长线

安装说明

KNX USB 接口设计紧凑,外观如 U 盘一样小巧,精致,轻便易携。因此,根据使用需要可以安装在很多地方。安装时必须确保设备操作、测试、检测、维护、维修正确无误。

重要提示

安装和调试设备只能由合格的熟练电工来操作。在计划与实施电气安装的过程中,相关的标准、指令、规则和指示都要严格执行。

- 需要避免器件在运输、储存、使用的过程中受潮、脏污以及受损。
- 不要使器件运行在指定的技术指标之外(例如温度范围)。

当设备脏污时,只可以使用干燥的布来清洁。如果这样不足以清洁干净,可以使用湿布蘸少许肥皂溶液轻轻擦拭。绝不能使用碱剂或者腐蚀性溶剂。