

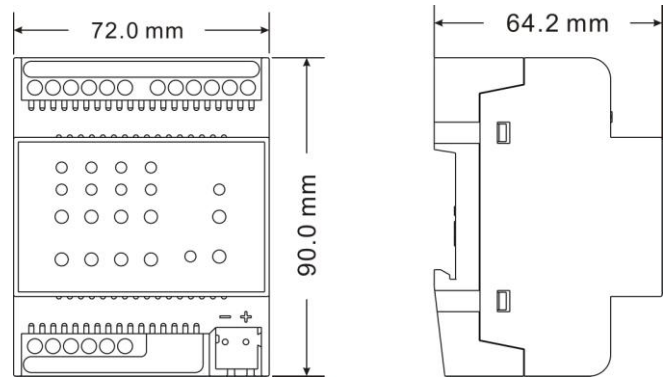
Technical Sheet For EIB/KNX 350mA LED Dimming Actuator

KA/D 04.L1.1



The worldwide STANDARD for home and building control

DIMENSIONS

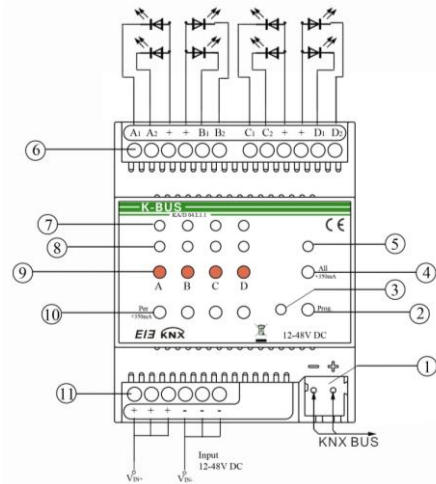


Model	Dimension	Weight
KA/D 04.L1.1	72 x 90 x 64.2mm	0.3kg

CHARACTERISTICS

- Control switch of the LED lamp
- Relative dimming function
- Control brightness values of the LED lamp
- State report, error report
- 15 scenes setting
- Staircase lighting function
- Bus recovery function
- Preset function, set preset function
- Set output current for per channel manually
- Switch/ relative dimming via manual buttons

DESCRIPTIONS



PARAMETERS

Power	Operating voltage	21-30V DC, via the EIB bus
Supply	Input	12-48V DC
Output	4 channels	Each channel with two outputs
	current	Constant current 350mA/700mA
	Load voltage	3-48V DC
connections	EIB/KNX	EIB bus connection terminal
	Input and output	Screw terminals
Operation and display	Button and Red LED	For assigning the physical address
	Green LED flashing	Indicate the application layer running normally
	Switch current button for a channel	Set output current for the channel
	LED for a channel	Indicate output current of the channel increased by 350mA
	Switch current button for all channels	Set output current for all channels
Temperature	LED for all channels	Indicate output current of all channels increased by 350mA
	Manual buttons	Switch via a short operation, relative dimming via a long operation
	Output indicate LEDs	Indicate output status per channel
Mounting	Operation	-5°C~45°C
	Storage	-25°C~55°C
	Transport	-25°C~70°C
Ambient	On 35mm DIN rail	
	Humidity	<93%, except dewing

- ① EIB/KNX bus connection terminal.
- ② Programming button, for assigning the physical address.
- ③ Red LED for entering the physical address, green LED for application layer running normally.
- ④ Switch current button, set output current for all channels.
- ⑤ LED, indicating output current of all channels increased by 350mA.
- ⑥ Output, load terminals.
- ⑦ LEDs of indicating output status for each channel.
- ⑧ LEDs, indicating output current of a channel increased by 350mA.
- ⑨ Manual buttons, switch via short operation, relative dimming via long operation.
- ⑩ Switch current button, set output current for a channel.
- ⑪ Input terminals

INSTALLATION FIGURE

The devices are suitable for installation on the distribution boards with 35mm DIN rail which complies with DIN EN 60715 or a small box in order to facilitate quick installation of the device. Must ensure that the device operation, testing, detecting, maintenance correctly.

IMPORTANT INFORMATION

Installation and commissioning of the device may only be carried out by trained electricians. The relevant standards, directives, regulations and instructions must be observed when planning and implementing the electrical installation.

- Protect the device against moisture, dirt and damage during transport, storage and operation!
- Do not operate the device outside the specified technical data (e.g. temperature range)!
- The device may only be operated in closed enclosures (e.g. distribution boards).

Should the device become soiled, it may be cleaned with a dry cloth. If this does not suffice, a cloth lightly moistened with soap solution may be used. On no account should caustic agents or solvents be used.